



A ingenious design of 53mm soft closing journey makes the movement perfectly.

GLASS MAGIC BOX

GLASS MAGIC BOX

FEATURES

- Fashionable appearance,slow motion,easy assembling
- Optional for Huggen PTO system
- Drawer height 80MM
- Synchronized concealed slide Loading capacity 35KG
- Epoxy coated
- 3D regulations,up and down,left and right,front and back
- Mataluminum+glass



GLASS MAGIC BOX H80



Nominal length	Item code			The complete set basic components includes
	Soft closing	Rebound	Huggen	
270mm	DBF1.270A2.(*)	DBRF1.270A2.(*)	DBPF1.270A2.(*)	1.Soft closing concealed slide(left/right) with huggen PTO system*
300mm	DBF1.300A2.(*)	DBRF1.300A2.(*)	DBPF1.300A2.(*)	2.Glass drawer side Left/Right
350mm	DBF1.350A2.(*)	DBRF1.350A2.(*)	DBPF1.350A2.(*)	3.Front fixing brackets 1*2pcs
400mm	DBF1.400A2.(*)	DBRF1.400A2.(*)	DBPF1.400A2.(*)	4.Clip-on fixing Left/Right
450mm	DBF1.450A2.(*)	DBRF1.450A2.(*)	DBPF1.450A2.(*)	5.Spacer for clip Left/Right
500mm	DBF1.500A2.(*)	DBRF1.500A2.(*)	DBPF1.500A2.(*)	
550mm	DBF1.550A2.(*)	DBRF1.550A2.(*)	DBPF1.550A2.(*)	

Remarks:(*):Color: Matt white (MW) / Dark grey(DG) Patent No.ZL 2017 2 0750286.4

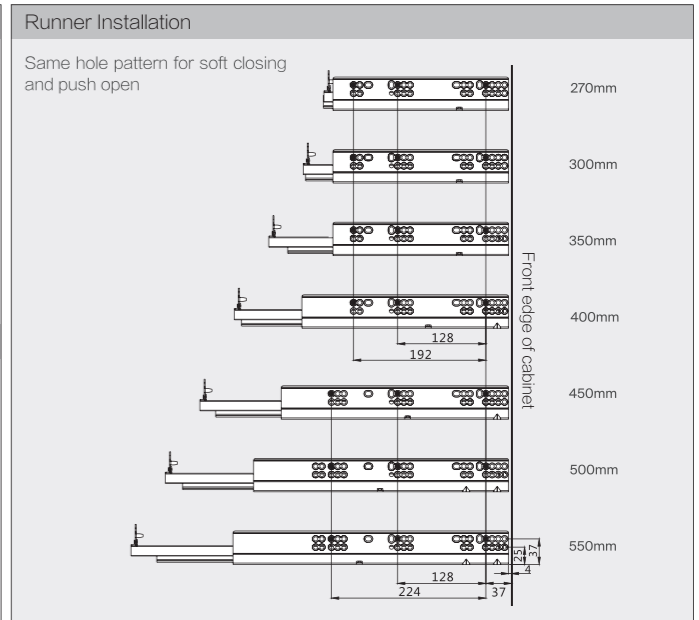
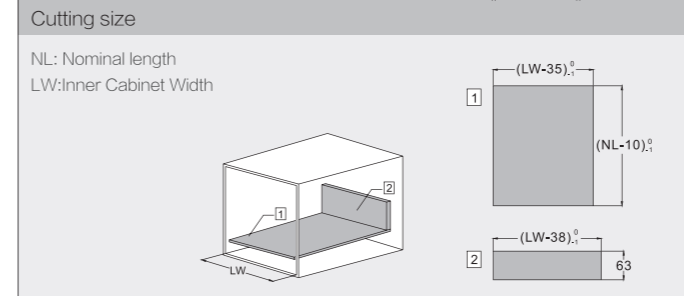
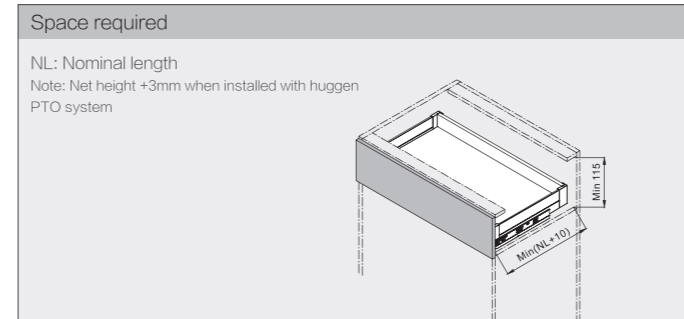
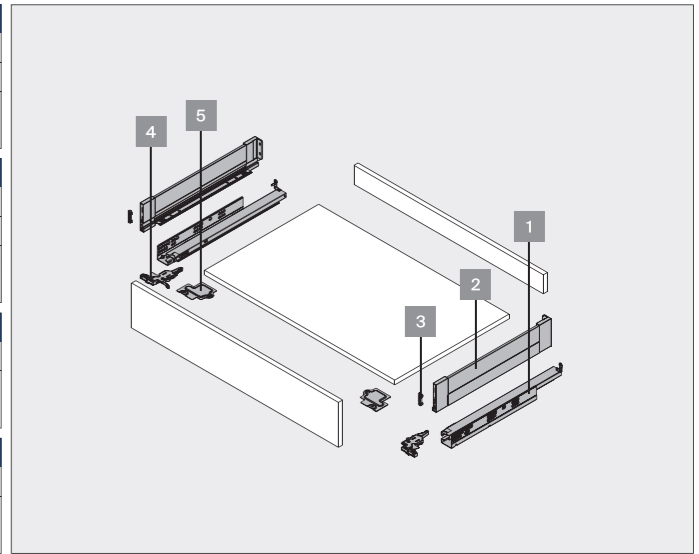
1 Concealed slide Left / Right			
Description	Concealed slide-Soft closing	Concealed slide - Rebound	Concealed slide - HUGGEN
	DBE.(*)SL.ZP	DBRE.(*)SL.ZP	DBPE.(*)SL.ZP
	Remarks:(*):Nominal length:270/300/350/400/450/500/550		

2 Glass drawer side Left / Right	
Description	Glass drawer side Left/Right
	DBF.(*) AW2.(*)
	Remarks:(*):Nominal length:270/300/350/400/450/500/550 (*)Color: Matt white (MW) / Dark grey(DG)

3 Front fixing brackets	
Description	Front fixing brackets
	DA1102F1.80.(*)
	Remarks:(*):Color: Matt white (MW) / Dark grey(DG)

4 Clip-on fixing Left/Right	
Description	Clip-on fixing Left/Right
	CL12E.P3

5 Spacer for clip Left/Right	
Description	Spacer for clip Left/Right
	DA1101F.ZP



*For more detail of huggen PTO system, see page 095-098.

GLASS MAGIC BOX

FEATURES

- Fashionable appearance,slow motion,easy assembling
- Optional for Huggen PTO system
- Drawer height 120MM
- Synchronized concealed slide Loading capacity 35KG
- Epoxy coated
- 3D regulations,up and down,left and right,front and back
- Mataluminum+glass



GLASS MAGIC BOX H120



H120mm Glass magic box item code

Nominal length	Item code			The complete set basic components includes
	Soft closing	Rebound	Huggen	
270mm	DBF1.270B2.(*)	DBRF1.270B2.(*)	DBPF1.270B2.(*)	1.Soft closing concealed slide(left/right) with huggen PTO system*
300mm	DBF1.300B2.(*)	DBRF1.300B2.(*)	DBPF1.300B2.(*)	2.Glass drawer side Left/Right
350mm	DBF1.350B2.(*)	DBRF1.350B2.(*)	DBPF1.350B2.(*)	3.Front fixing brackets 1*2pcs
400mm	DBF1.400B2.(*)	DBRF1.400B2.(*)	DBPF1.400B2.(*)	4.Clip-on fixing Left/Right
450mm	DBF1.450B2.(*)	DBRF1.450B2.(*)	DBPF1.450B2.(*)	5.Spacer for clip Left/Right
500mm	DBF1.500B2.(*)	DBRF1.500B2.(*)	DBPF1.500B2.(*)	
550mm	DBF1.550B2.(*)	DBRF1.550B2.(*)	DBPF1.550B2.(*)	

Remarks:(*):Color: Matt white (MW) / Dark grey(DG) Patent No.ZL 2017 2 0750286.4

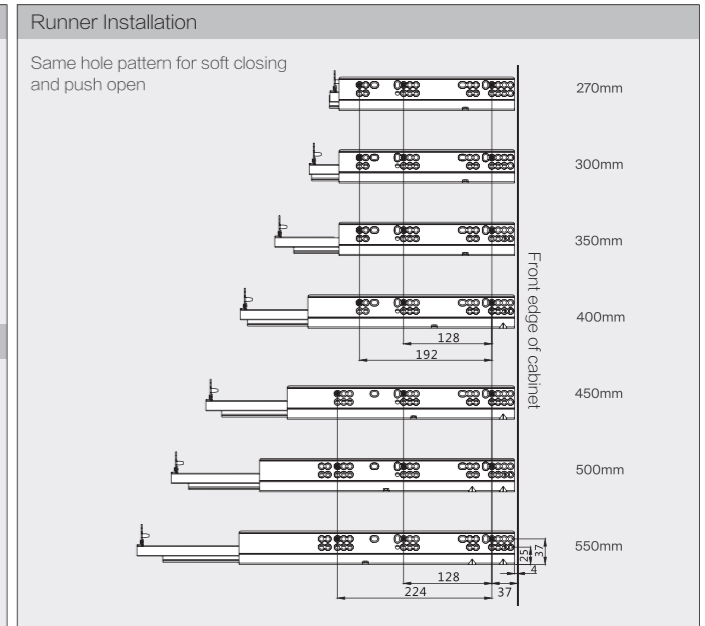
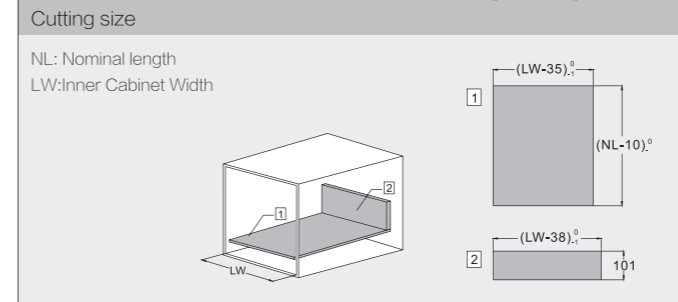
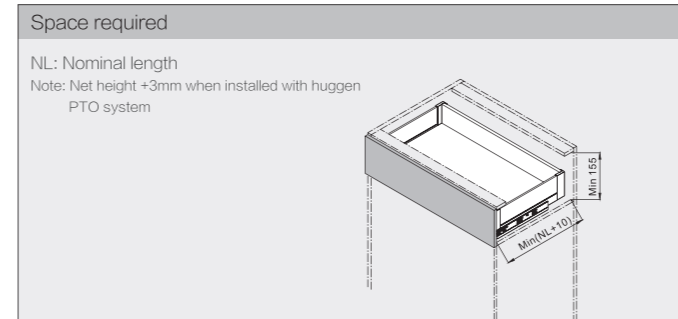
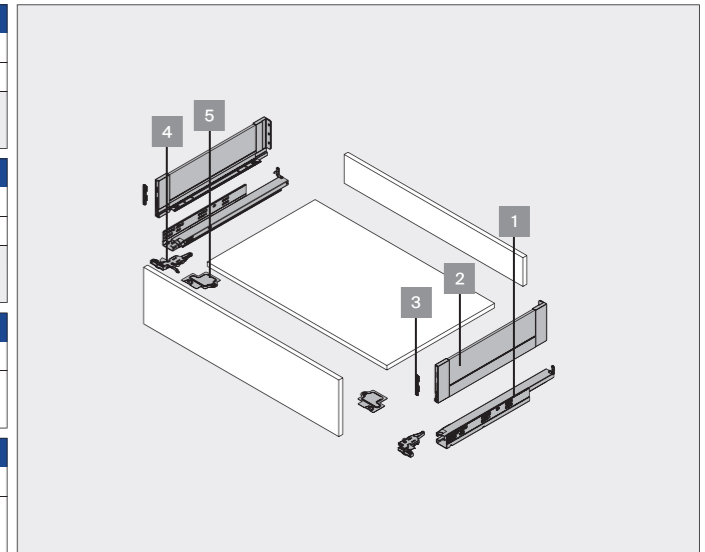
1 Concealed slide Left/Right			
Description	Concealed slide-Soft closing	Concealed slide - Rebound	Concealed slide - HUGGEN
	DBE.(*)SL.ZP	DBRE.(*)SL.ZP	DBPE.(*)SL.ZP
	Remarks:(*):Nominal length:270/300/350/400/450/500/550		

2 Glass drawer side Left/Right	
Description	Glass drawer side Left/Right
	DBF.(*) BW2.(*)
	Remarks:(*):Nominal length:270/300/350/400/450/500/550 (*)Color: Matt white (MW) / Dark grey(DG)

3 Front fixing brackets	
Description	Front fixing brackets
	DA1102F1.120.(*)
	Remarks:(*):Color: Matt white (MW) / Dark grey(DG)

4 Clip-on fixing Left/Right	
Description	Clip-on fixing Left/Right
	CL12E.P3

5 Spacer for clip Left/Right	
Description	Spacer for clip Left/Right
	DA1101F.ZP



*For more detail of huggen PTO system, see page 095-098.

GLASS MAGIC BOX

FEATURES

- Fashionable appearance,slow motion,easy assembling
- Optional for Huggen PTO system
- Drawer height 170MM
- Synchronized concealed slide Loading capacity 35KG
- Epoxy coated
- 3D regulations,up and down,left and right,front and back
- Mataluminum+glass



GLASS MAGIC BOX H170



H170mm Glass magic box item code

Nominal length	Item code			The complete set basic components includes
	Soft closing	Rebound	Huggen	
270mm	DBF1.270C2.(*)	DBRF1.270C2.(*)	DBPF1.270C2.(*)	1.Soft closing concealed slide(left/right) with huggen PTO system*
300mm	DBF1.300C2.(*)	DBRF1.300C2.(*)	DBPF1.300C2.(*)	2.Glass drawer side Left/Right
350mm	DBF1.350C2.(*)	DBRF1.350C2.(*)	DBPF1.350C2.(*)	3.Front fixing brackets 1*2pcs
400mm	DBF1.400C2.(*)	DBRF1.400C2.(*)	DBPF1.400C2.(*)	4.Clip-on fixing Left/Right
450mm	DBF1.450C2.(*)	DBRF1.450C2.(*)	DBPF1.450C2.(*)	5.Spacer for clip Left/Right
500mm	DBF1.500C2.(*)	DBRF1.500C2.(*)	DBPF1.500C2.(*)	
550mm	DBF1.550C2.(*)	DBRF1.550C2.(*)	DBPF1.550C2.(*)	

Remarks:(*):Color: Matt white (MW) / Dark grey(DG) Patent No.ZL 2017 2 0750286.4

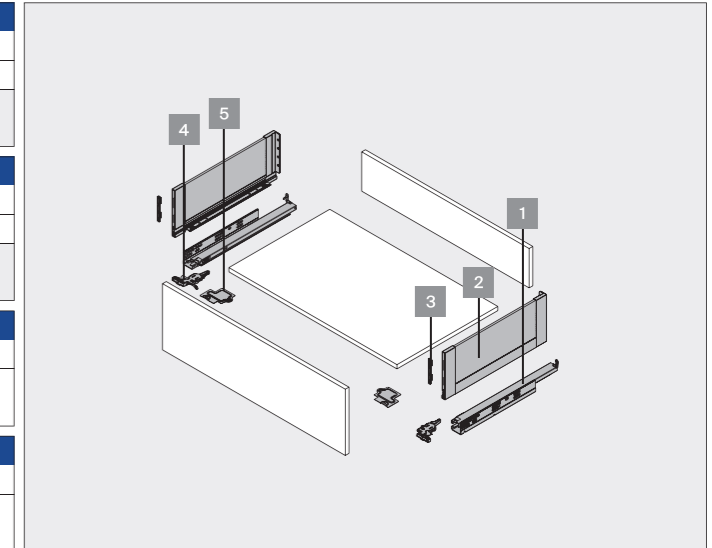
1 Concealed slide Left/Right			
Description	Concealed slide-Soft closing	Concealed slide - Rebound	Concealed slide - HUGGEN
	DBE.(*)SL.ZP	DBRE.(*)SL.ZP	DBPE.(*)SL.ZP
	Remarks:(*):Nominal length:270/300/350/400/450/500/550		

2 Glass drawer side Left/Right	
Description	Glass drawer side Left/Right
	DBF.(*) CW2.(*)
	Remarks:(*):Nominal length:270/300/350/400/450/500/550 (*)Color: Matt white (MW) / Dark grey(DG)

3 Front fixing brackets	
Description	Front fixing brackets
	DA1102F1.170.(*)
	Remarks:(*):Color: Matt white (MW) / Dark grey(DG)

4 Clip-on fixing Left/Right	
Description	Clip-on fixing Left/Right
	CL12E.P3

5 Spacer for clip Left/Right	
Description	Spacer for clip Left/Right
	DA1101F.ZP



Space required	
NL: Nominal length	
Note: Net height +3mm when installed with huggen PTO system	

Cutting size	
NL: Nominal length	
LW: Inner Cabinet Width	

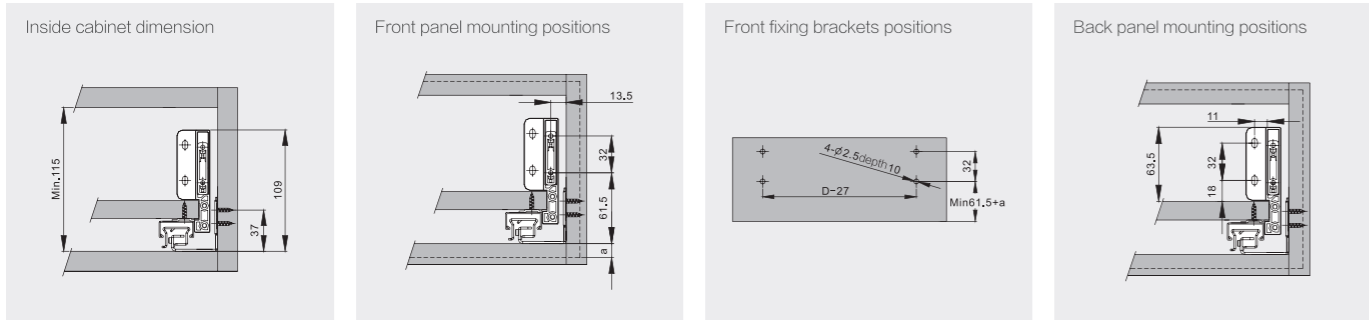
Runner Installation	
Same hole pattern for soft closing and push open	

*For more detail of huggen PTO system, see page 095-098.

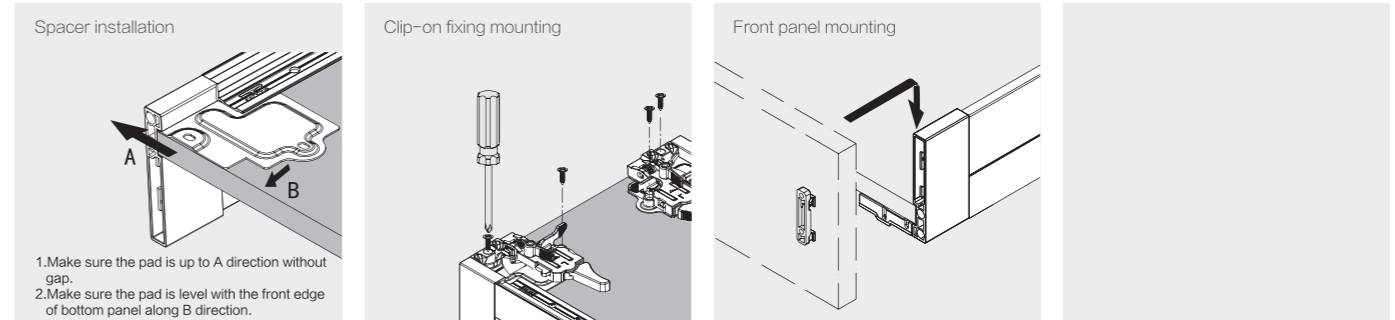
INSTALLATION INSTRUCTION

GLASS MAGIC BOX

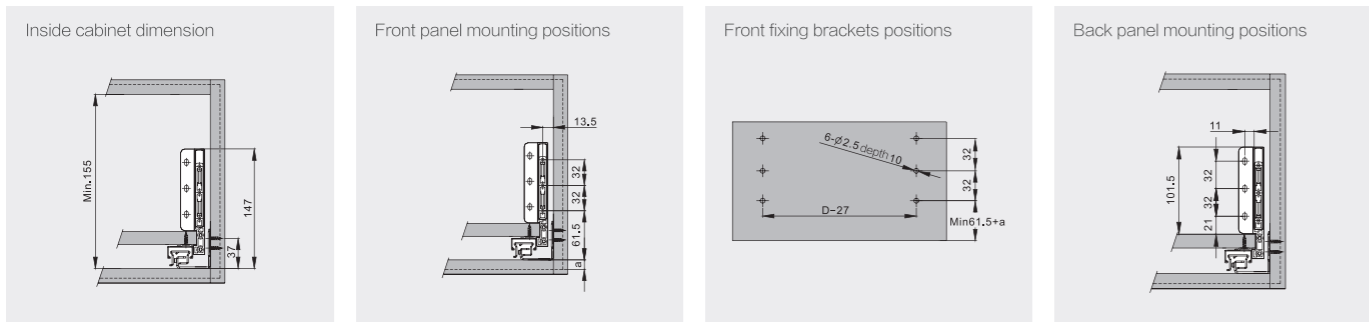
H=80mm installation instruction



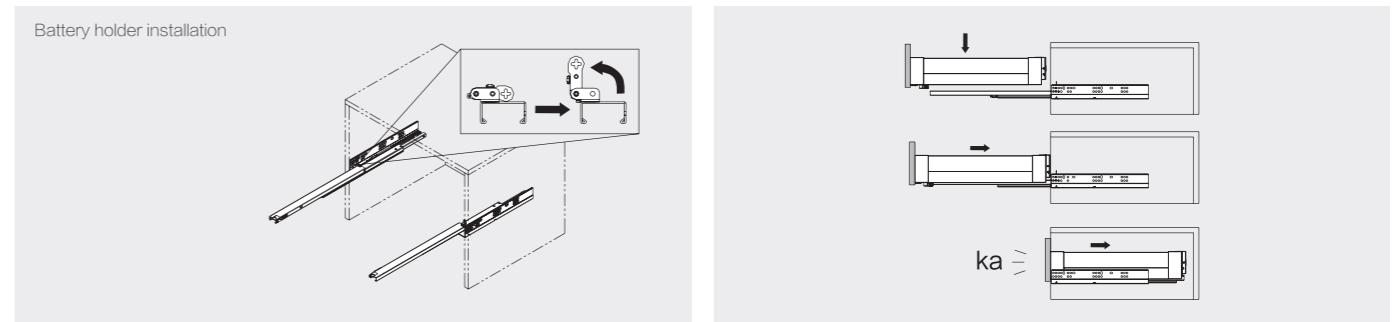
Installation instruction



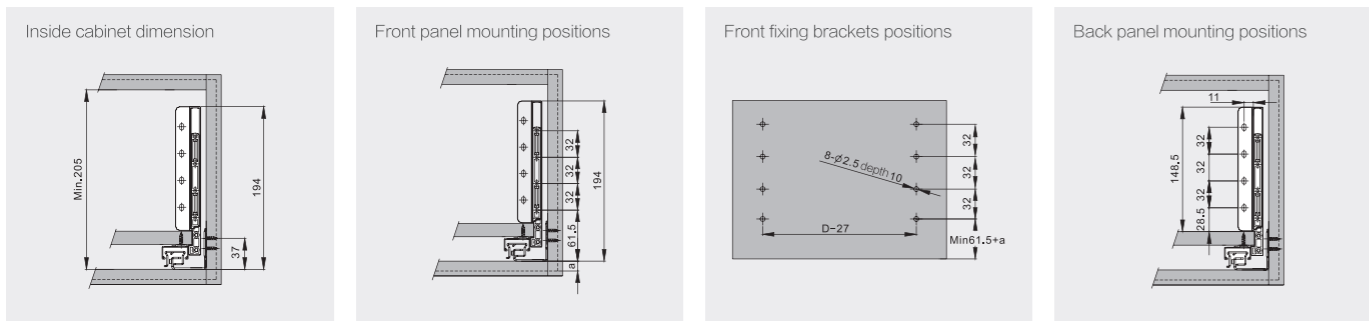
H=120mm installation instruction



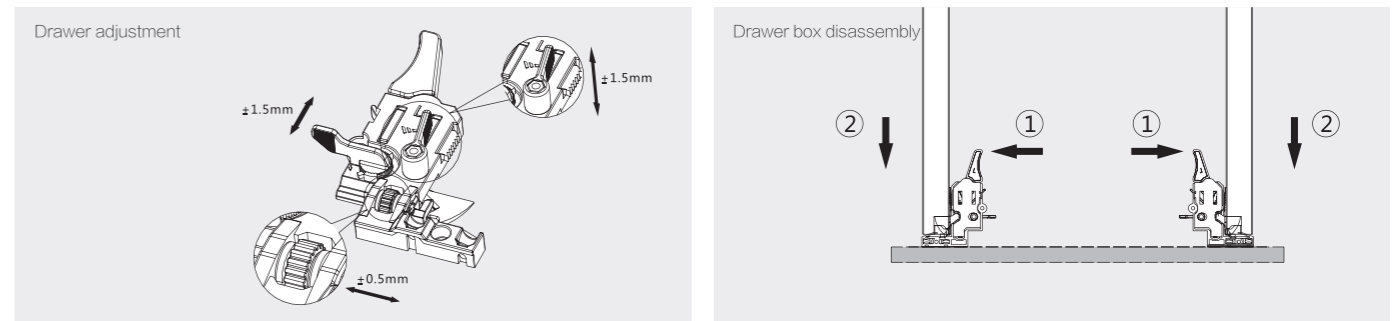
Installation instruction



H=170mm installation instruction



Installation instruction



Installation instruction

