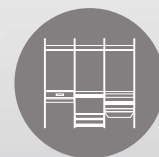


LEGO LIVING ROOM



Living room
Application

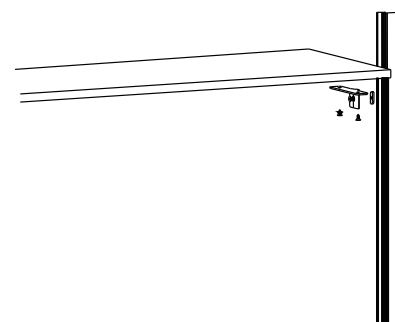


Wardrobe
Application

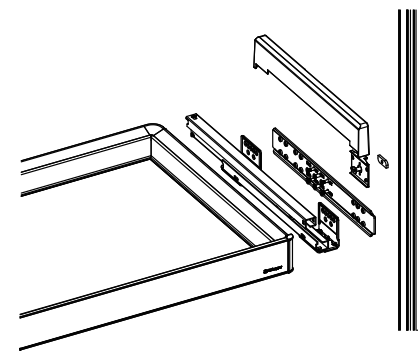


INSTALLATION INSTRUCTION

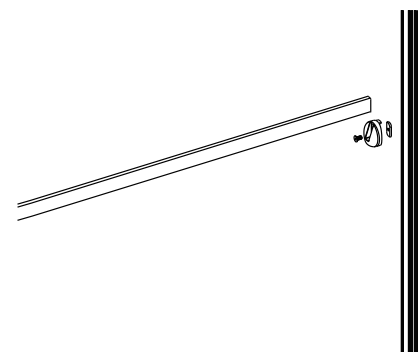
01. Flat Shelf



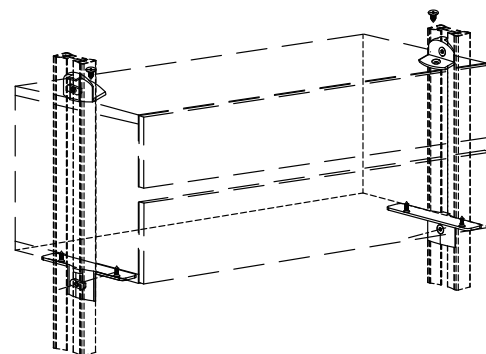
02. Wardrobe Accessories



03. Side Mounted Hanging Tube



04. Individual Drawer



GUANGDONG UNIHOPPER PRECISION TECHNOLOGY GROUP CO.,LTD

Headquarter: Unihopper industrial park, No.9 Chuangye road, High-tech Industrial Development Zone,
Zhaoqing City, Guangdong Province, China

TEL: +86-758 3212918/3212919
FAX: +86-758 3212921
Email: pansheng@unihopper.biz
www.unihopper.biz/en



Official
website



Official
wechat



LEGO WARDROBE

LEGO WARDROBE



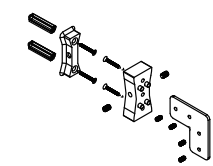
SAME FRAME FOR WARDROBE
LIVING ROOM



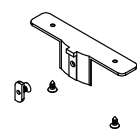
ORIGINAL PRODUCT



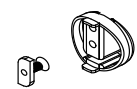
COMPONENTS



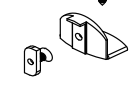
01
**Corner connector
and Connector for
Wall-mounted**
CJ1447.GG
-Suitable for Side-mounted



02
Main shelf support
CJ1420.GG



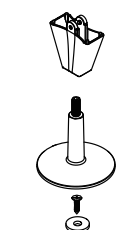
03
Tube support
CJ1418.GG



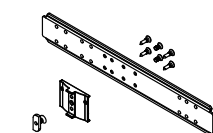
04
Individual drawer support
CJ1419.GG



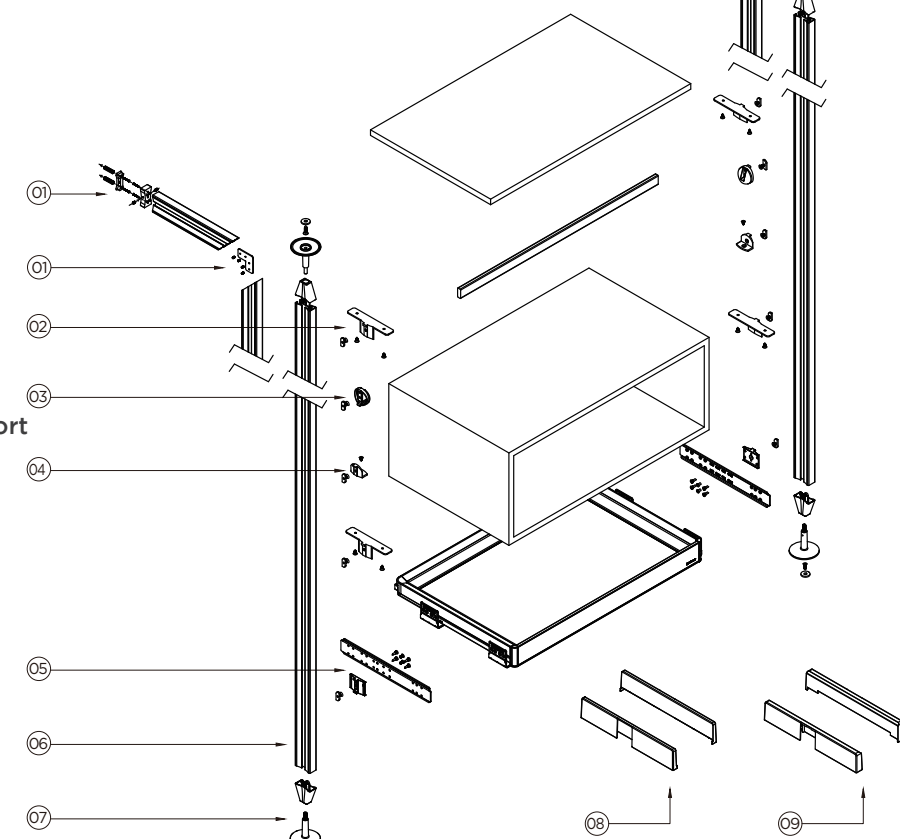
06
Main alu. profile
AP2195.GG
-Length ≤ 3000mm



07
Adjustable leg
CJ1446.GG
-Adjustment range: 15mm



05
Slide connector
CJ1448.GG



08 Slide cover
PP5199B.GG
-suitable for Monika, Leka,
Venka, Coka

09 Slide cover
PP5200B.GG
-Suitable for Magic box,
Moka, Glass Naka

FEATURES



**Simple and original
design concept**

Flexible DIY combination
Multiple applications



Multiple installation

Top-mounted or Side-mounted



**Suitable for storage
hardware installation**

Free wood concept