

INNER DRAWER BOX SYSTEM



INNER MAGIC BOX - Elegant and fashionable design brings you a better experience of home space.

INNER MAGIC BOX


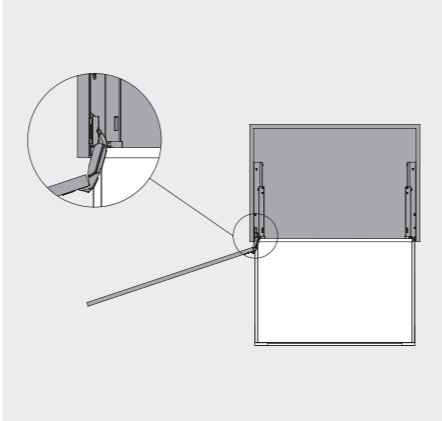


INNER DRAWER BOX

H80 Inner aluminium panel

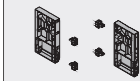
Suitable for LED Glass Magic box、Glass Magic box、
Magic box、Regic box

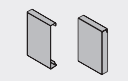


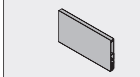
Product	Features	Application
	H80mm,aluminum panel Used with large angle hinge (≥165°) 16/18mm cabinet side panels for option Suitable for LED glass magic box , magic box, regic box	

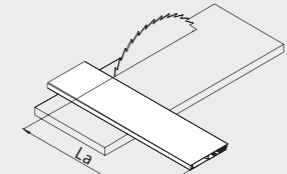
H=80mm inner drawer components	
Item code	The complete set basic components includes
DA6104ES.040A.(*)	1.Plastic bracket Left/Rjght
DA6104ES.045A.(*)	2.Inner front cover Left/Right
DA6104ES.050A.(*)	3.Aluminium front panel
DA6104ES.055A.(*)	
DA6104ES.060A.(*)	
DA6104ES.080A.(*)	
DA6104ES.090A.(*)	
DA6104ES.100A.(*)	
DA6104ES.120A.(*)	

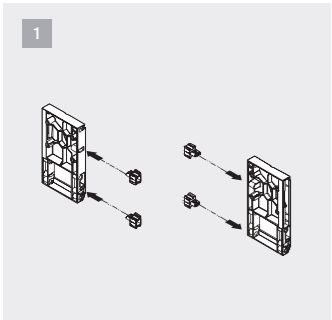
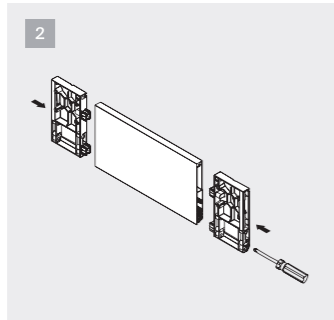
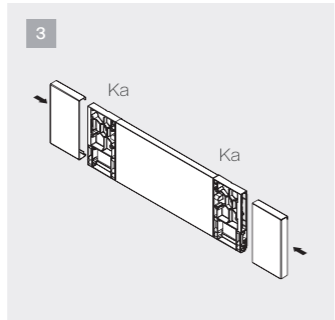
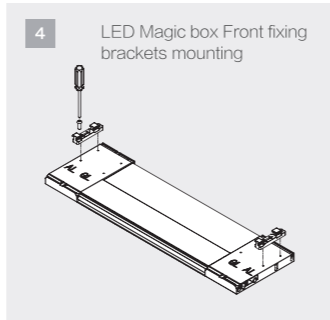
Remarks:(*):Color: Matt white (MW) / Dark grey(DG)

1 Plastic bracket Left/Rjght	
Description	Plastic bracket Left/Rjght
	DA6101E4.80.(*) Remarks:(*):Color: Matt white (MW) / Dark grey(DG)

2 Inner front cover Left/Right	
Description	Inner front cover Left/Right
	DA6102E3.80.(*) Remarks:(*):Color: Matt white (MW) / Dark grey(DG)

3 Aluminium front panel	
Description	Aluminium front panel
	DA6103E3.(*) A.(*) Remarks:(*):Cabinet width:040/045/050/055/060/080/090/100/120 (*)Color: Matt white (MW) / Dark grey(DG)

Cutting instruction	
Cutting of aluminium front panel	
	
La=(LW-127) ; LW=Inner Cabinet Width	


Installation instruction			
			

INNER DRAWER BOX

H80 Inner aluminium panel–Used with plastic spacer


Suitable for LED Glass Magic box、Glass Magic box、
Magic box、Regic box

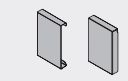


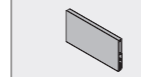
Product	Features	Application
	H80mm,aluminum panel Used with regular hinge (95°-110°) Used with plastic pad 16/18mm cabinet side panels for option Suitable for LED glass magic box , magic box, regic box	

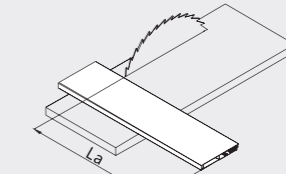
H=80mm inner drawer components–Used with plastic pad	
Item code	The complete set basic components includes
DA6104ED.040A.(*)	1.Plastic bracket Left/Rjght
DA6104ED.045A.(*)	2.Inner front cover Left/Right
DA6104ED.050A.(*)	3.Aluminium front panel
DA6104ED.055A.(*)	
DA6104ED.060A.(*)	
DA6104ED.080A.(*)	
DA6104ED.090A.(*)	
DA6104ED.100A.(*)	
DA6104ED.120A.(*)	

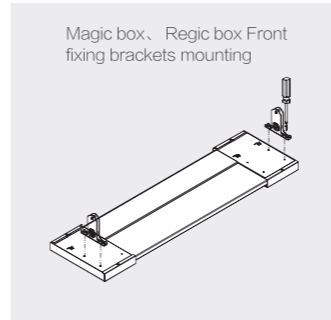
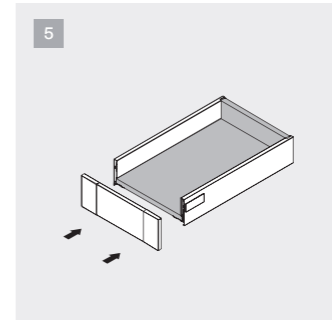
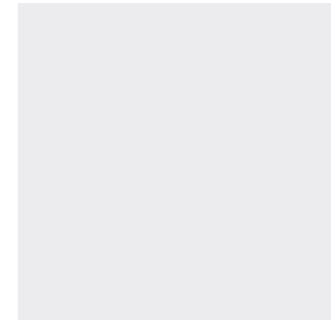
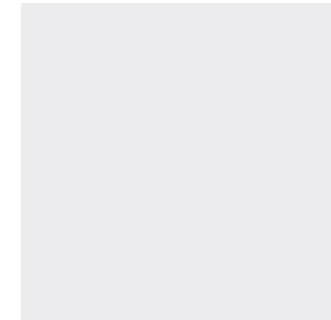
Remarks:(*):Color: Matt white (MW) / Dark grey(DG)

1 Plastic bracket Left/Rjght	
Description	Plastic bracket Left/Rjght
	DA6101E4.80.(*) Remarks:(*):Color: Matt white (MW) / Dark grey(DG)

2 Inner front cover Left/Right	
Description	Inner front cover Left/Right
	DA6102E3.80.(*) Remarks:(*):Color: Matt white (MW) / Dark grey(DG)

3 Aluminium front panel	
Description	Aluminium front panel
	DA6103E3.(*) A.(*) Remarks:(*):Cabinet width:040/045/050/055/060/080/090/100/120 (*)Color: Matt white (MW) / Dark grey(DG)

Cutting instruction	
Cutting of aluminium front panel	
	
La=(LW-173) ; LW=Inner Cabinet Width	

Installation instruction			
			

*Plastic spacer, see page 127

INNER DRAWER BOX

H80 Inner glass panel

Suitable for LED Glass Magic box、Glass Magic box、
Magic box、Regic box



Product	Features	Application
	H80mm,glass panel Used with large angle hinge (≥165°) 16/18mm cabinet side panels for option Suitable for LED glass magic box , magic box, regic box	

H=80mm inner drawer components	
Item code	The complete set basic components includes
DA6103ES.040A.(*)	1.Plastic bracket Left/Right
DA6103ES.045A.(*)	2.Inner front cover Left/Right
DA6103ES.050A.(*)	3.Aluminium panel
DA6103ES.055A.(*)	4.Inner glass panel
DA6103ES.060A.(*)	
DA6103ES.080A.(*)	
DA6103ES.090A.(*)	
DA6103ES.100A.(*)	
DA6103ES.120A.(*)	

Remarks:(*):Color: Matt white (MW) / Dark grey(DG)

1 Plastic bracket Left/Right	
Description	Plastic bracket Left/Right
	DA6101E4.80.(*)
	Remarks:(*):Color: Matt white (MW) / Dark grey(DG)

3 Aluminium panel	
Description	Aluminium panel
	DA6103E2.(*) A.(*)
	Remarks:(*):Cabinet width:040/045/050/055/060/080/090/100/120
	(*)Color: Matt white (MW) / Dark grey(DG)

Cutting instruction	
Cutting of glass holder	Cutting of glass
La=(LW-127) ♂ LW=Inner Cabinet Width	L=Inner Cabinet Width-115
	Glass thickness: 8mm

2 Inner front cover Left/Right	
Description	Inner front cover Left/Right
	DA6102E3.80.(*)
	Remarks:(*):Color: Matt white (MW) / Dark grey(DG)

4 Inner glass panel	
Description	Inner glass panel
	DA6105E1.(*) A.TR
	Remarks:(*):Cabinet width:040/045/050/055/060/080/090/100/120

Installation instruction

-
-
-
-

INNER DRAWER BOX

H80 Inner glass panel –Used with plastic spacer

Suitable for LED Glass Magic box、Glass Magic box、
Magic box、Regic box



Product	Features	Application
	H80mm,glass panel Used with regular hinge (95°-110°) Used with plastic pad 16/18mm cabinet side panels for option Suitable for LED glass magic box , magic box, regic box	

H=80mm inner drawer components–Used with plastic pad	
Item code	The complete set basic components includes
DA6103ED.040A.(*)	1.Plastic bracket Left/Right
DA6103ED.045A.(*)	2.Inner front cover Left/Right
DA6103ED.050A.(*)	3.Aluminium panel
DA6103ED.055A.(*)	4.Inner glass panel
DA6103ED.060A.(*)	
DA6103ED.080A.(*)	
DA6103ED.090A.(*)	
DA6103ED.100A.(*)	
DA6103ED.120A.(*)	

Remarks:(*):Color: Matt white (MW) / Dark grey(DG)

1 Plastic bracket Left/Right	
Description	Plastic bracket Left/Right
	DA6101E4.80.(*)
	Remarks:(*):Color: Matt white (MW) / Dark grey(DG)

2 Inner front cover Left/Right	
Description	Inner front cover Left/Right
	DA6102E3.80.(*)
	Remarks:(*):Color: Matt white (MW) / Dark grey(DG)

3 Aluminium panel	
Description	Aluminium panel
	DA6103E2.(*) A.(*)
	Remarks:(*):Cabinet width:040/045/050/055/060/080/090/100/120
	(*)Color: Matt white (MW) / Dark grey(DG)

4 Inner glass panel	
Description	Inner glass panel
	DA6105E1.(*) A.TR
	Remarks:(*):Cabinet width:040/045/050/055/060/080/090/100/120

Cutting instruction	
Cutting of glass holder	Cutting of glass
La=(LW-173) ♂ LW=Inner Cabinet Width	L=Inner Cabinet Width-161
	Glass thickness: 8mm

Brackets–Plastic spacer*(optional)	
Description	Plastic spacer(front/back)
	DA6201E.(*)
	Remarks:(*):Color: Mocca (MCA) / Dark grey(DG)

Installation instruction

-
-
-
-
-

*Plastic spacer, see page 127

INNER DRAWER BOX

H120 Inner aluminium panel

Suitable for LED Glass Magic box、Glass Magic box、
Magic box、Regic box

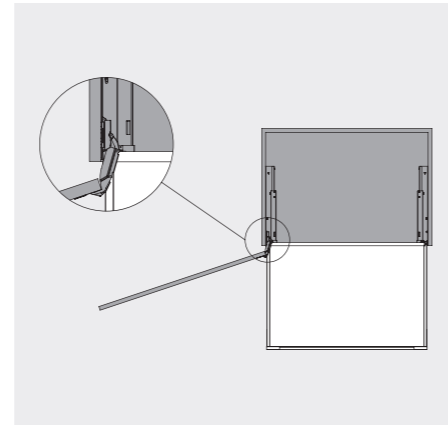
Product



Features

H120mm,aluminum panel
Used with large angle hinge ($\geq 165^\circ$)
16/18mm cabinet side panels for option
Suitable for LED glass magic box , magic box, regic box

Application



H=120mm inner drawer components	
Item code	The complete set basic components includes
DA6104ES.040B.(*)	1.Plastic bracket Left/Right
DA6104ES.045B.(*)	2.Inner front cover Left/Right
DA6104ES.050B.(*)	3.Aluminium front panel
DA6104ES.055B.(*)	
DA6104ES.060B.(*)	
DA6104ES.080B.(*)	
DA6104ES.090B.(*)	
DA6104ES.100B.(*)	
DA6104ES.120B.(*)	

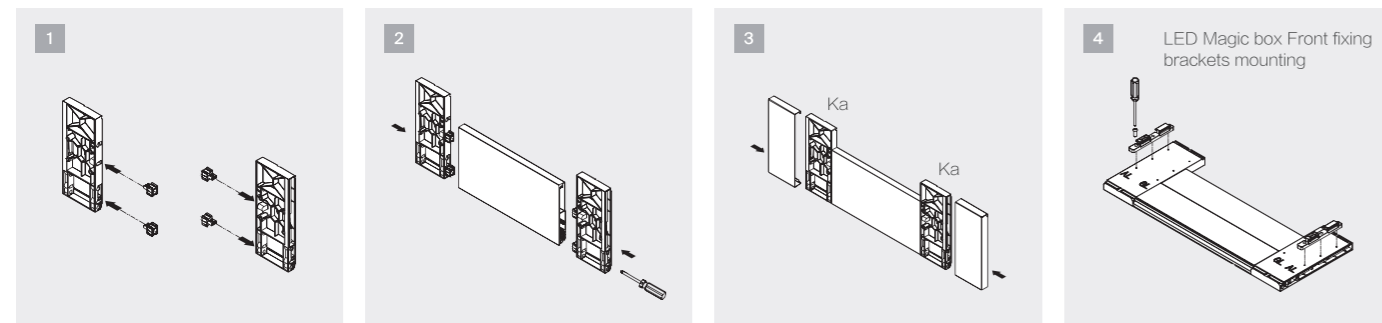
Remarks:(*):Color: Matt white (MW) / Dark grey(DG)

1 Plastic bracket Left/Right	
Description	Plastic bracket Left/Right
	DA6101E4.120.(*)
	Remarks:(*):Color: Matt white (MW) / Dark grey(DG)

3 Aluminium front panel	
Description	Aluminium front panel
	DA6103E3.(*) A.(*)
	Remarks:(*):Cabinet width:040/045/050/055/060/080/090/100/120 (*)):Color: Matt white (MW) / Dark grey(DG)

Cutting instruction	
Cutting of aluminium front panel	
La=(LW-127) ; LW=Inner Cabinet Width	

Installation instruction



INNER DRAWER BOX

H120 Inner aluminium panel–Used with plastic spacer

Suitable for LED Glass Magic box、Glass Magic box、
Magic box、Regic box

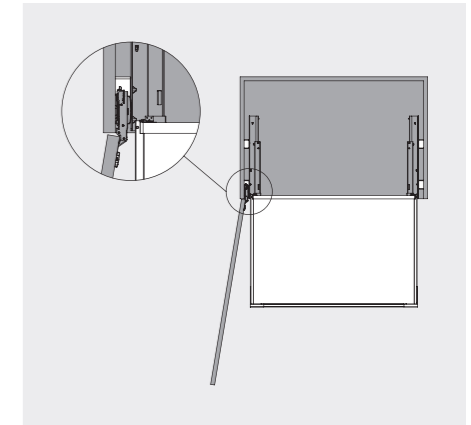
Product



Features

H120mm,aluminum panel
Used with regular hinge ($95^\circ-110^\circ$)
Used with plastic pad
16/18mm cabinet side panels for option
Suitable for LED glass magic box , magic box, regic box

Application



H=120mm inner drawer components–Used with plastic pad	
Item code	The complete set basic components includes
DA6104ED.040B.(*)	1.Plastic bracket Left/Right
DA6104ED.045B.(*)	2.Inner front cover Left/Right
DA6104ED.050B.(*)	3.Aluminium front panel
DA6104ED.055B.(*)	
DA6104ED.060B.(*)	
DA6104ED.080B.(*)	
DA6104ED.090B.(*)	
DA6104ED.100B.(*)	
DA6104ED.120B.(*)	

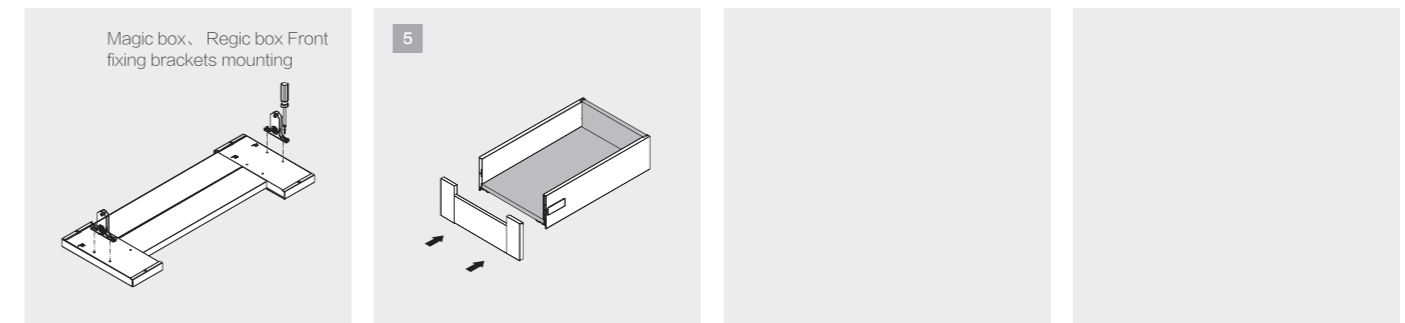
Remarks:(*):Color: Matt white (MW) / Dark grey(DG)

1 Plastic bracket Left/Right	
Description	Plastic bracket Left/Right
	DA6101E4.120.(*)
	Remarks:(*):Color: Matt white (MW) / Dark grey(DG)

3 Aluminium front panel	
Description	Aluminium front panel
	DA6103E3.(*) A.(*)
	Remarks:(*):Cabinet width:040/045/050/055/060/080/090/100/120 (*)):Color: Matt white (MW) / Dark grey(DG)

Cutting instruction	
Cutting of aluminium front panel	
La=(LW-173) ; LW=Inner Cabinet Width	

Installation instruction



*Plastic spacer, see page 127

INNER DRAWER BOX



H120 Inner glass panel

Suitable for LED Glass Magic box、Glass Magic box、
Magic box、Regic box

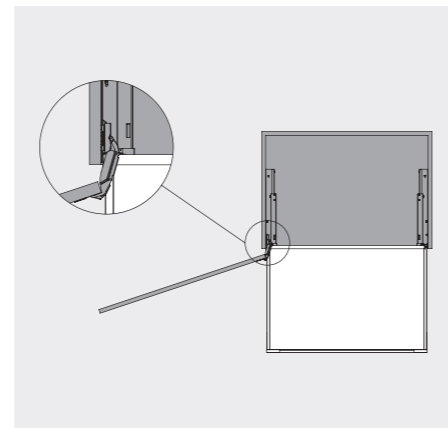
Product



Features

H120mm,glass panel
Used with large angle hinge ($\geq 165^\circ$)
16/18mm cabinet side panels for option
Suitable for LED glass magic box , magic box, regic box

Application



H=120mm inner drawer components	
Item code	The complete set basic components includes
DA6103ES.040B.(*)	1.The complete set basic components includes
DA6103ES.045B.(*)	2.Inner front cover Left/Right
DA6103ES.050B.(*)	3.Aluminium panel
DA6103ES.055B.(*)	4.Inner glass panel
DA6103ES.060B.(*)	
DA6103ES.080B.(*)	
DA6103ES.090B.(*)	
DA6103ES.100B.(*)	
DA6103ES.120B.(*)	

Remarks:(*):Color: White (WT) /Dark grey(DG)

1 Plastic bracket Left/Rjght	
Description	Plastic bracket Left/Rjght
	DA6101E4.120.(*)
	Remarks:(*):Color: White (WT) /Dark grey(DG)

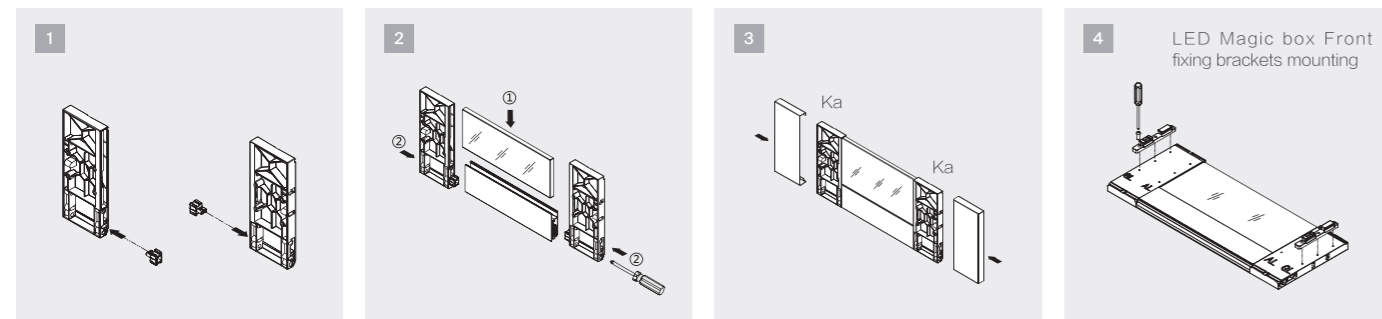
3 Aluminium panel	
Description	Aluminium panel
	DA6103E2.(*) A.(*)
	Remarks:(*):Cabinet width: 060/080/090/100/120 ([Ⓔ]):Color: White (WT) /Dark grey(DG)

Cutting instruction	
Cutting of glass holder	Cutting of glass
$La=(LW-127)$ [Ⓔ] LW:Inner Cabinet Width	L=Inner Cabinet Width-115 Glass thickness: 8mm

2 Inner front cover Left/Right	
Description	Inner front cover Left/Right
	DA6102E3.120.(*)
	Remarks:(*):Color: White (WT) /Dark grey(DG)

4 Inner glass panel	
Description	Inner glass panel
	DA6105E1.(*) C.TR
	Remarks:(*):Cabinet width: 060/080/090/100/120

Installation instruction



INNER DRAWER BOX



H120 Inner glass panel –Used with plastic spacer

Suitable for LED Glass Magic box、Glass Magic box、
Magic box、Regic box

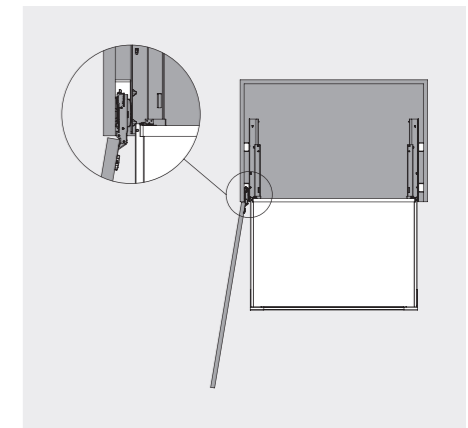
Product



Features

H120mm,glass panel
Used with regular hinge ($95^\circ-110^\circ$)
Used with plastic pad
16/18mm cabinet side panels for option
Suitable for LED glass magic box , magic box, regic box

Application



H=120mm inner drawer components–Used with plastic pad	
Item code	The complete set basic components includes
DA6103ED.040B.(*)	1.Plastic bracket Left/Right
DA6103ED.045B.(*)	2.Inner front cover Left/Right
DA6103ED.050B.(*)	3.Aluminium panel
DA6103ED.055B.(*)	4.Inner front cover Left/Right
DA6103ED.060B.(*)	
DA6103ED.080B.(*)	
DA6103ED.090B.(*)	
DA6103ED.100B.(*)	
DA6103ED.120B.(*)	

Remarks:(*):Color: White (WT) /Dark grey(DG)

1 Plastic bracket Left/Rjght	
Description	Plastic bracket Left/Rjght
	DA6101E4.120.(*)
	Remarks:(*):Color: White (WT) /Dark grey(DG)

2 Inner front cover Left/Right	
Description	Inner front cover Left/Right
	DA6102E3.120.(*)
	Remarks:(*):Color: White (WT) /Dark grey(DG)

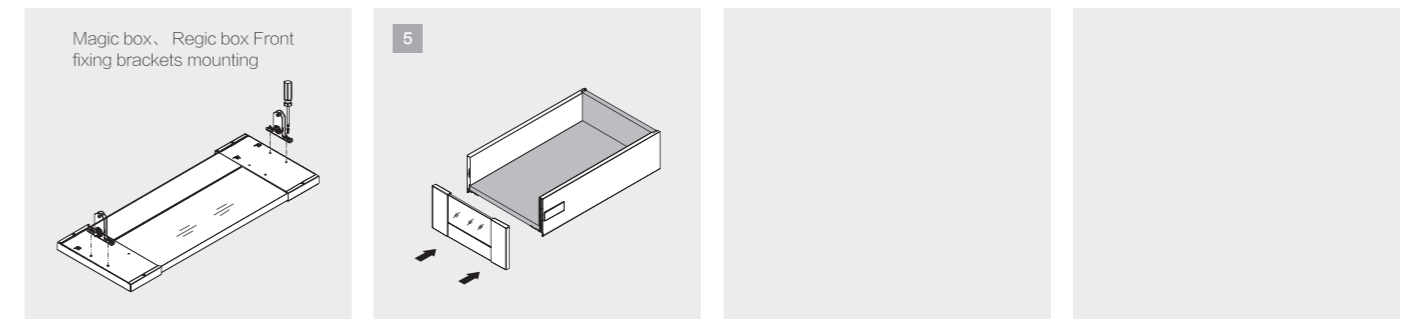
3 Aluminium panel	
Description	Aluminium panel
	DA6103E2.(*) A.(*)
	Remarks:(*):Cabinet width:040/045/050/055/060/080/090/100/120 ([Ⓔ]):Color: Matt white (MW) / Dark grey(DG)

4 Inner glass panel	
Description	Inner glass panel
	DA6105E1.(*) C.TR
	Remarks:(*):Cabinet width:040/045/050/055/060/080/090/100/120

Cutting instruction	
Cutting of glass holder	Cutting of glass
$La=(LW-173)$ [Ⓔ] LW=LW:Inner Cabinet Width	L=Inner Cabinet Width-161 Glass thickness: 8mm

Brackets–Plastic spacer*(optional)	
Description	Plastic spacer(front/back)
	DA6201E.(*)
	Remarks:(*):Color: Mocca (MCA) / Dark grey(DG)

Installation instruction



*Plastic spacer, see page 127

INNER DRAWER BOX

H170 Inner aluminium panel

Suitable for LED Glass Magic box、Glass Magic box、
Magic box、Regic box



Product	Features	Application
	H170mm,aluminum panel Used with large angle hinge (≥165°) 16/18mm cabinet side panels for option Suitable for LED glass magic box , magic box, regic box	

H=170mm inner drawer components	
Item code	The complete set basic components includes
	1.Plastic bracket Left/Rjght
DA6104ES.040C.(*)	2.Inner front cover Left/Right
DA6104ES.045C.(*)	3.Aluminium front panel
DA6104ES.050C.(*)	4.Inner aluminium bar
DA6104ES.055C.(*)	
DA6104ES.060C.(*)	
DA6104ES.080C.(*)	
DA6104ES.090C.(*)	
DA6104ES.100C.(*)	
DA6104ES.120C.(*)	

Remarks:(*):Color: White (WT) /Dark grey(DG)

1 Plastic bracket Left/Rjght		2 Inner front cover Left/Right	
Description	Plastic bracket Left/Rjght	Description	Inner front cover Left/Right
	DA6101E4.170.(*)		DA6102E3.170.(*)
	Remarks:(*):Color: White (WT) /Dark grey(DG)		Remarks:(*):Color: White (WT) /Dark grey(DG)
3 Aluminium front panel		4 Inner aluminium bar	
Description	Aluminium front panel	Description	Inner aluminium bar
	DA6103E3.(*) A.(*)		DA6104E2.(*) C.(*)
	Remarks:(*):Cabinet width:040/045/050/055/060/080/090/100/120 (*)):Color: Matt white (MW) / Dark grey(DG)		Remarks:(*):Cabinet width:040/045/050/055/060/080/090/100/120 (*)):Color: Matt white (MW) / Dark grey(DG)

Installation instruction

-
-
-
-

INNER DRAWER BOX

H170 Inner aluminium panel–Used with plastic spacer

Suitable for LED Glass Magic box、Glass Magic box、
Magic box、Regic box



Product	Features	Application
	H170mm,aluminum panel Used with regular hinge (95°-110°) Used with plastic pad 16/18mm cabinet side panels for option Suitable for LED glass magic box , magic box, regic box	

H=170mm inner drawer components–Used with plastic pad	
Item code	The complete set basic components includes
	1.Plastic bracket Left/Rjght
DA6104ED.040C.(*)	2.Inner front cover Left/Right
DA6104ED.045C.(*)	3.Aluminium front panel
DA6104ED.050C.(*)	4.Aluminium front panel
DA6104ED.055C.(*)	
DA6104ED.060C.(*)	
DA6104ED.080C.(*)	
DA6104ED.090C.(*)	
DA6104ED.100C.(*)	
DA6104ED.120C.(*)	

Remarks:(*):Color: White (WT) /Dark grey(DG)

1 Plastic bracket Left/Rjght		2 Inner front cover Left/Right		3 Aluminium front panel	
Description	Plastic bracket Left/Rjght	Description	Inner front cover Left/Right	Description	Aluminium front panel
	DA6101E4.170.(*)		DA6102E3.170.(*)		DA6103E2.(*) A.(*)
	Remarks:(A):Color: White (WT) / Dark grey(DG)		Remarks:(A):Color: White (WT) / Dark grey(DG)		Remarks:(*):Cabinet width:040/045/050/055/060/080/090/100/120 (*)):Color: Matt white (MW) / Dark grey(DG)
4 Inner aluminium bar		Brackets–Plastic spacer*(optional)			
Description	Inner aluminium bar	Description	Plastic spacer(front/back)		
	DA6104E2.(*) C.(*)		DA6201E.(*)		
	Remarks:(*):Cabinet width:040/045/050/055/060/080/090/100/120 (*)):Color: Matt white (MW) / Dark grey(DG)		Remarks:(*):Color: Mocca (MCA) / Dark grey(DG)		

Installation instruction

-
-
-
-
-

*Plastic spacer, see page 127

INNER DRAWER BOX

H170 Inner glass panel

Suitable for LED Glass Magic box、Glass Magic box、
Magic box、Regic box



Product	Features	Application
	H170mm,glass panel Used with large angle hinge (≥165°) 16/18mm cabinet side panels for option Suitable for LED glass magic box , magic box, regic box	

H=170mm inner drawer components	
Item code	The complete set basic components includes
DA6103ES.040C.(*)	1.Plastic bracket Left/Right
DA6103ES.045C.(*)	2.Inner front cover Left/Right
DA6103ES.050C.(*)	3.Aluminium panel
DA6103ES.055C.(*)	4.Inner glass panel
DA6103ES.060C.(*)	
DA6103ES.080C.(*)	
DA6103ES.090C.(*)	
DA6103ES.100C.(*)	
DA6103ES.120C.(*)	

Remarks:(*):Color: White (WT) /Dark grey(DG)

1 Plastic bracket Left/Right	2 Inner front cover Left/Right
Description	Plastic bracket Left/Right
	DA6101E4.170.(*)
	Remarks:(*):Color: White (WT) /Dark grey(DG)
Description	Inner front cover Left/Right
	DA6102E3.170.(*)
	Remarks:(*):Color: White (WT) /Dark grey(DG)
Description	Aluminium panel
	DA6103E2.(*) A.(*)
	Remarks:(*):Cabinet width:040/045/050/055/060/080/090/100/120 (*)):Color: Matt white (MW) / Dark grey(DG)

Cutting instruction	
Cutting of glass holder	Cutting of glass
La=(LW-127) ; LW=Inner Cabinet Width	L=Inner Cabinet Width-115 Glass thickness: 8mm

Installation instruction

-
-
-
-

INNER DRAWER BOX

H170 Inner glass panel –Used with plastic spacer

Suitable for LED Glass Magic box、Glass Magic box、
Magic box、Regic box



Product	Features	Application
	H170mm,glass panel Used with regular hinge (95°-110°) Used with plastic pad 16/18mm cabinet side panels for option Suitable for LED glass magic box , magic box, regic box	

H=170mm inner drawer components–Used with plastic pad	
Item code	The complete set basic components includes
DA6103ED.040C.(*)	1.Plastic bracket Left/Right
DA6103ED.045C.(*)	2.Inner front cover Left/Right
DA6103ED.050C.(*)	3.Aluminium panel
DA6103ED.055C.(*)	4.Inner glass panel
DA6103ED.060C.(*)	
DA6103ED.080C.(*)	
DA6103ED.090C.(*)	
DA6103ED.100C.(*)	
DA6103ED.120C.(*)	

Remarks:(*):Color: White (WT) /Dark grey(DG)

1 Plastic bracket Left/Right	2 Inner front cover Left/Right	3 Aluminium panel	
Description	Plastic bracket Left/Right	Description	Aluminium panel
	DA6101E4.170.(*)		DA6103E2.(*) A.(*)
	Remarks:(*):Color: White (WT) / Dark grey(DG)		Remarks:(*):Cabinet width:040/045/050/055/060/080/090/100/120 (*)):Color: Matt white (MW) / Dark grey(DG)
Description	Inner front cover Left/Right	Description	Brackets–Plastic spacer*(optional)
	DA6102E3.170.(*)		Plastic spacer(front/back)
	Remarks:(*):Color: White (WT) / Dark grey(DG)		DA6201E.(*)
Description	Inner glass panel		Remarks:(*):Color: Mocca (MCA) / Dark grey(DG)
	DA6105E1.(*) C.TR		
	Remarks:(*):Cabinet width:040/045/050/055/060/080/090/100/120		

Installation instruction

-

*Plastic spacer, see page 127





INNER DRAWER BOX - Full range accessories

INNER DRAWER BOX

INNER DRAWER BOX

H80 Inner aluminium panel

Suitable for Pobox



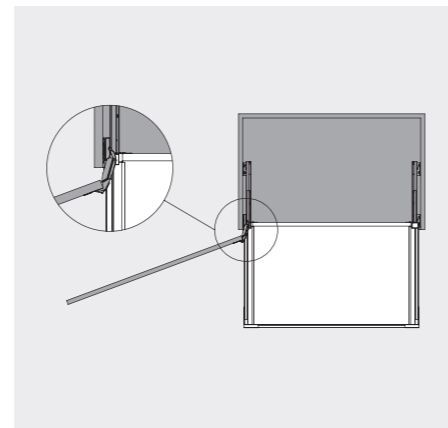
Product



Features

H80mm,aluminum panel
Used with large angle hinge ($\geq 165^\circ$)
16/18mm cabinet side panels for option
Suitable for pobox

Application



H=80mm inner drawer components	
Item code	The complete set basic components includes
DA6104DS.040A.(*)	1.Plastic bracket Left/Right
DA6104DS.045A.(*)	2.Inner front cover Left/Right
DA6104DS.050A.(*)	3.Aluminium front panel
DA6104DS.055A.(*)	
DA6104DS.060A.(*)	
DA6104DS.080A.(*)	
DA6104DS.090A.(*)	
DA6104DS.100A.(*)	
DA6104DS.120A.(*)	

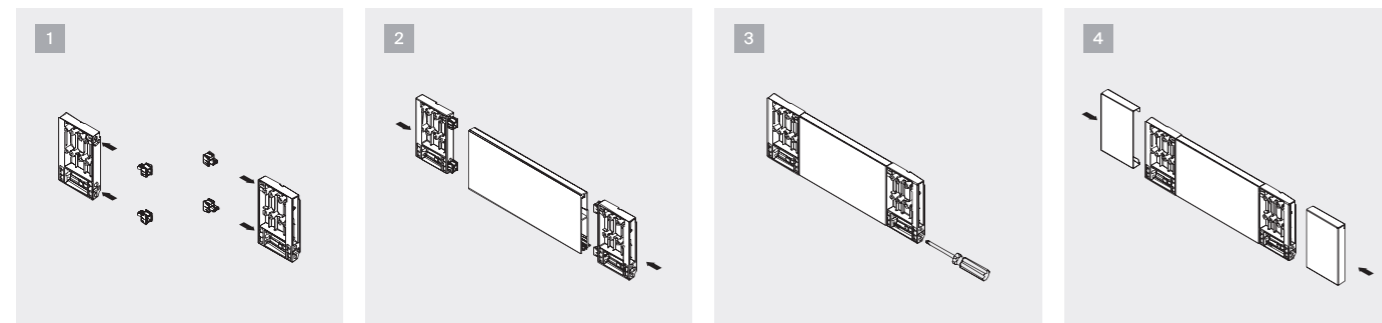
Remarks:(*):Color: White (WT) /Silver(SV)

1 Plastic bracket Left/Right	
Description	Plastic bracket Left/Right
	DA6101D4.80.(*)
	Remarks:(A):Color: White (WT) /Silver(SV)

3 Aluminium front panel	
Description	Aluminium front panel
	DA6102D4.(*) A.(*)
	Remarks:(*):Cabinet width:040/045/050/055/060/080/090/100/120 (*)Color: White (WT) /Silver(SV)

Cutting instruction	
Cutting of aluminium front panel	
La=(LW-127) * LW=Inner Cabinet Width	

Installation instruction



INNER DRAWER BOX

H80 Inner glass panel

Suitable for Pobox



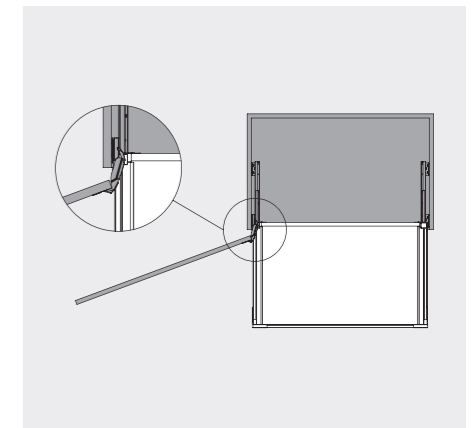
Product



Features

H80mm,glass panel
Used with large angle hinge ($\geq 165^\circ$)
16/18mm cabinet side panels for option
Suitable for pobox

Application



H=80mm inner drawer components	
Item code	The complete set basic components includes
DA6105DS.040A.(*)	1.Plastic bracket Left/Right
DA6105DS.045A.(*)	2.Inner front cover Left/Right
DA6105DS.050A.(*)	3.Aluminium panel
DA6105DS.055A.(*)	4.Inner glass panel
DA6105DS.060A.(*)	
DA6105DS.080A.(*)	
DA6105DS.090A.(*)	
DA6105DS.100A.(*)	
DA6105DS.120A.(*)	

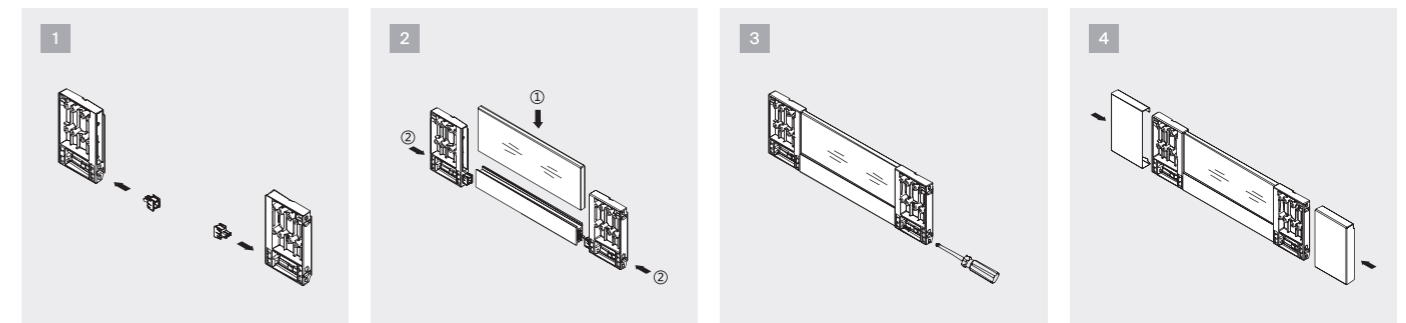
Remarks:(*):Color: White (WT) /Silver(SV)

1 Plastic bracket Left/Right	
Description	Plastic bracket Left/Right
	DA6101D5.80.(*)
	Remarks:(*):Color: White (WT) /Silver(SV)

3 Aluminium panel	
Description	Aluminium panel
	DA6102D5.(*) A.(*)
	Remarks:(*):Cabinet width:040/045/050/055/060/080/090/100/120 (*)Color: White (WT) /Silver(SV)

Installation instruction	
Cutting of glass holder	Cutting of glass
La=(LW-127) * LW=Inner Cabinet Width	Glass thickness: 8mm

Installation instruction



INNER DRAWER BOX

H190 Inner aluminium panel

Suitable for Pobox



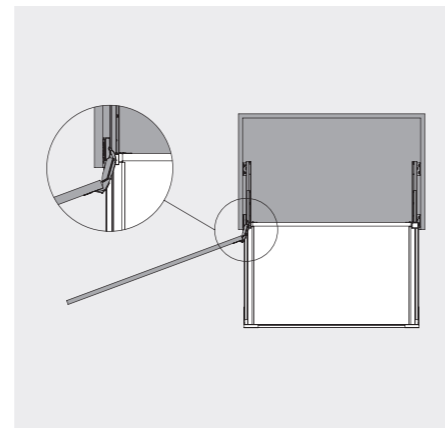
Product



Features

H190mm,aluminum panel
Used with large angle hinge ($\geq 165^\circ$)
16/18mm cabinet side panels for option
Suitable for pobox

Application



H=190mm inner drawer components	
Item code	The complete set basic components includes
DA6104DS.040C.(*)	1.Plastic bracket Left/Right
DA6104DS.045C.(*)	2.Inner front cover Left/Right
DA6104DS.050C.(*)	3.Aluminium front panel
DA6104DS.055C.(*)	4.Inner aluminium bar
DA6104DS.060C.(*)	
DA6104DS.080C.(*)	
DA6104DS.090C.(*)	
DA6104DS.100C.(*)	
DA6104DS.120C.(*)	

Remarks:(*):Color: White (WT) /Silver(SV)

1 Plastic bracket Left/Right	
Description	Plastic bracket Left/Right
	DA6101D4.190.(*)
	Remarks:(*):Color: White (WT) /Silver(SV)

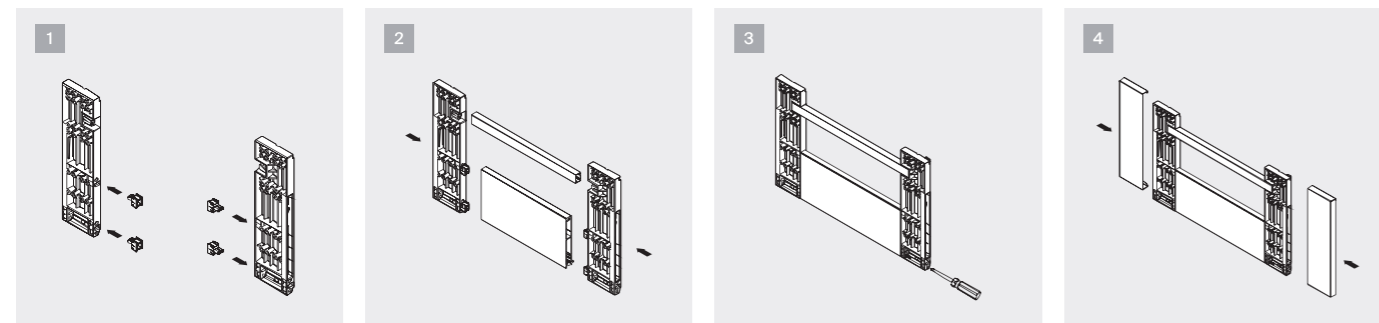
3 Aluminium front panel	
Description	Aluminium front panel
	DA6102D4.(*) A.(*)
	Remarks:(*):Cabinet width:040/045/050/055/060/080/090/100/120 (*)Color: White (WT) /Silver(SV)

Cutting instruction	
Cutting of aluminium front panel	Cutting of aluminium bar
$La=(LW-127) \pm 0.5$ LW=Installation instruction	$La=(LW-87) \pm 0.5$ LW=Installation instruction

2 Inner front cover Left/Right	
Description	Inner front cover Left/Right
	DA6104D1.190.(*)
	Remarks:(*):Color: White (WT) /Silver(SV)

4 Inner aluminium bar	
Description	Inner aluminium bar
	DA6102D5.(*) C.(*)
	Remarks:(*):Cabinet width:040/045/050/055/060/080/090/100/120 (*)Color: White (WT) /Silver(SV)

Installation instruction



INNER DRAWER BOX

H190 Inner glass panel

Suitable for Pobox



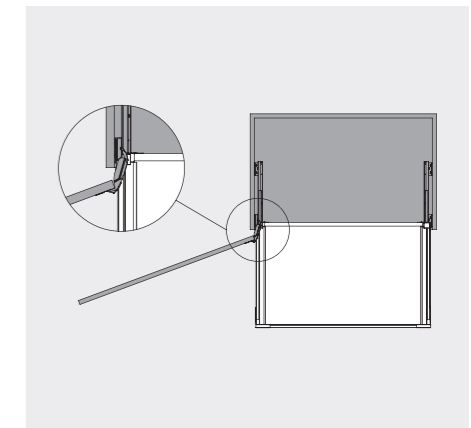
Product



Features

H190mm,glass panel
Used with large angle hinge ($\geq 165^\circ$)
16/18mm cabinet side panels for option
Suitable for pobox

Application



H=190mm inner drawer components	
Item code	The complete set basic components includes
DA6105DS.040C.(*)	1.Plastic bracket Left/Right
DA6105DS.045C.(*)	2.Inner front cover Left/Right
DA6105DS.050C.(*)	3.Aluminium panel
DA6105DS.055C.(*)	4.Inner glass panel
DA6105DS.060C.(*)	
DA6105DS.080C.(*)	
DA6105DS.090C.(*)	
DA6105DS.100C.(*)	
DA6105DS.120C.(*)	

Remarks:(*):Color: White (WT) /Silver(SV)

1 Plastic bracket Left/Right	
Description	Plastic bracket Left/Right
	DA6101D5.190.(*)
	Remarks:(*):Color: White (WT) /Silver(SV)

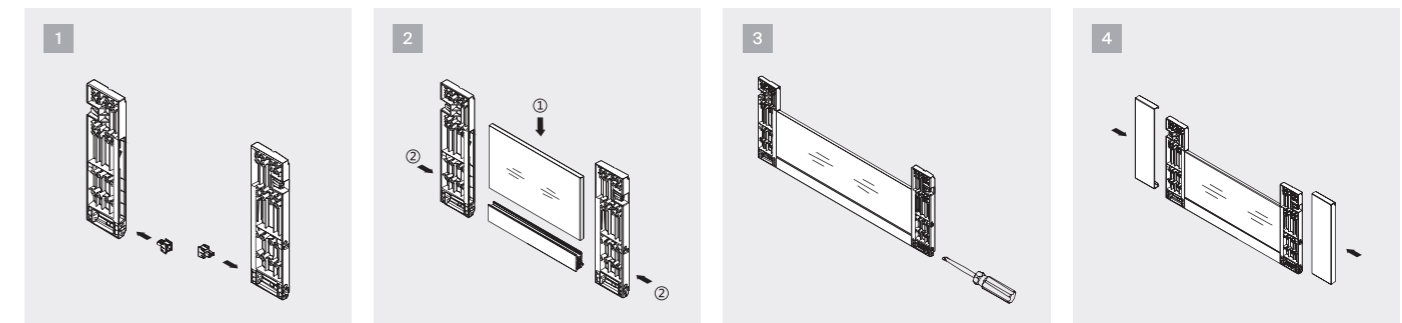
3 Aluminium panel	
Description	Aluminium panel
	DA6102D5.(*) A.(*)
	Remarks:(*):Cabinet width:040/045/050/055/060/080/090/100/120 (*)Color: White (WT) /Silver(SV)

Cutting instruction	
Cutting of glass holder	Cutting of glass
$La=(LW-127) \pm 0.5$ LW=Inner Cabinet Width	Glass thickness: 8mm

2 Inner front cover Left/Right	
Description	Inner front cover Left/Right
	DA6104D1.190.(*)
	Remarks:(*):Color: White (WT) /Silver(SV)

4 Inner glass panel	
Description	Inner glass panel
	DA6103D2.(*) C.GB
	Remarks:(*):Cabinet width:040/045/050/055/060/080/090/100/120

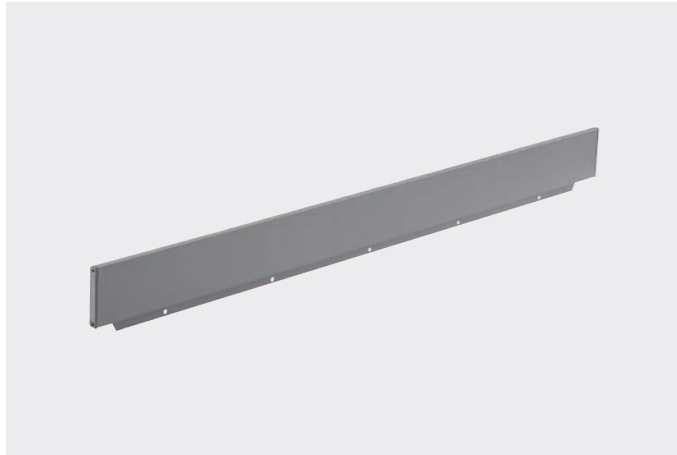
Installation instruction



ALUMINIUM BACK PANEL

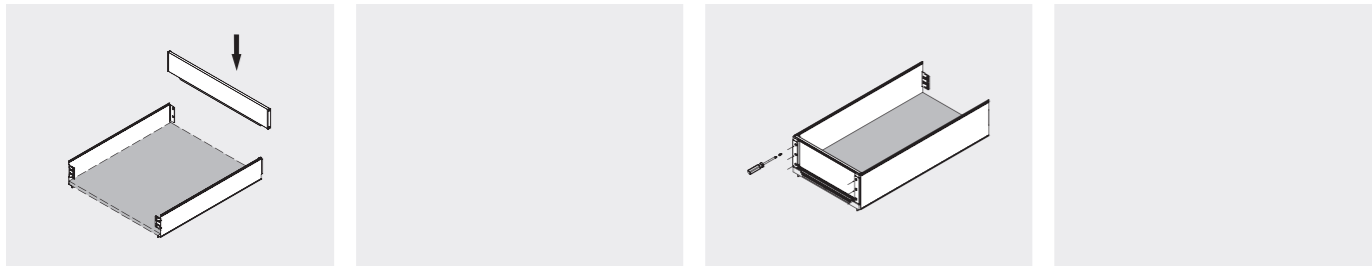
Suitable for Cobox

Design The Installation



H=80mm Aluminium back panel	
Description	H=80mm Aluminium back panel
	DA1104B.(*) A.TCA
	Remarks:(*)Cabinet width:040/045/050/055/060/080/090/100/120
H=120mm Aluminium back panel	
Description	H=120mm Aluminium back panel
	DA1104B.(*) B.TCA
	Remarks:(*)Cabinet width:040/045/050/055/060/080/090/100/120
H=150mm Aluminium back panel	
Description	H=150mm Aluminium back panel
	DA1104B.(*) C.TCA
	Remarks:(*)Cabinet width:040/045/050/055/060/080/090/100/120

Installation instruction



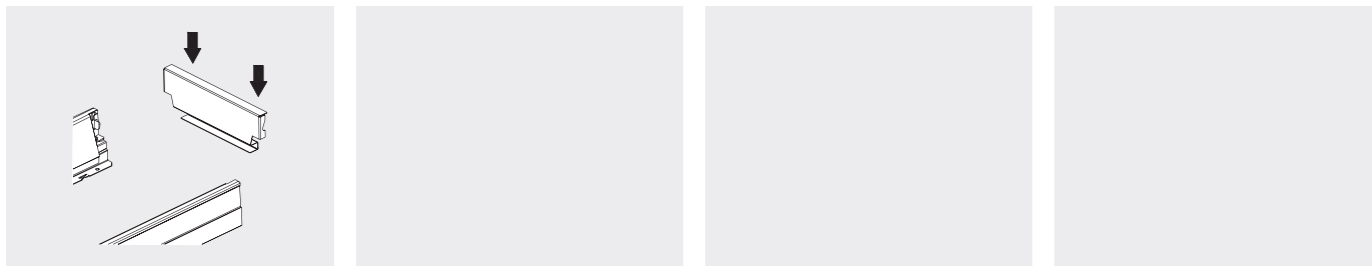
STEEL BACK PANEL

Suitable for Pobox



H=80mm Steel back panel	
Description	H=80mm Steel back panel
	DA1104C1.(*) A.(*)
	Remarks:(*)Cabinet width: 040/045/050/055/060/080/090/100/120 (*)Color: White (WT) /Silver(SV)
H=130mm Steel back panel	
Description	H=130mm Steel back panel
	DA1104C1.(*) B.(*)
	Remarks:(*)Cabinet width: 040/045/050/055/060/080/090/100/120 (*)Color: White (WT) /Silver(SV)
H=190mm Steel back panel	
Description	H=190mm Steel back panel
	DA1104C1.(*) C.(*)
	Remarks:(*)Cabinet width: 040/045/050/055/060/080/090/100/120 (*)Color: White (WT) /Silver(SV)

Installation instruction



MAT

Design The Installation

Small granulous anti-slip mat-Suitable for LED glass magic box, Glass magic box, Magic box, Regic box	
Description	Small granulous anti-slip mat
	DA1105C1.(*) (*)GR

Remarks:
 (*)Cabinet Width:040/045/050/055/060/090/100/120mm
 (*)Nominal length:1=270/2=300/3=350/4=400/5=450/6=500/7=550mm
 Size for a roll: 20m*1.1m

Small granulous anti-slip mat-Suitable for Pobox	
Description	Small granulous anti-slip mat
	DA1105C2.(*) (*)GR

Remarks:
 (A):Cabinet Width:040/045/050/055/060/090/100/120mm
 (*)Nominal length:1/2/3/4/5/6/7
 Size for a roll: 20m*1.1m

Mat for SLANKA SYSTEM	
Description	Mat for SLANKA SYSTEM
	PP5181A.TDB

Remarks:
 Size for a roll: 1.2m*10m